

## Area Gripping Systems FX-SW

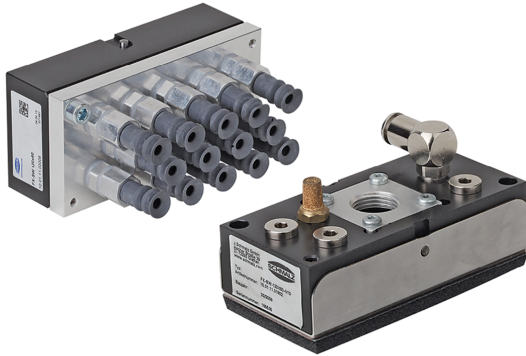
Suction area (LxB) 120 x 60 mm



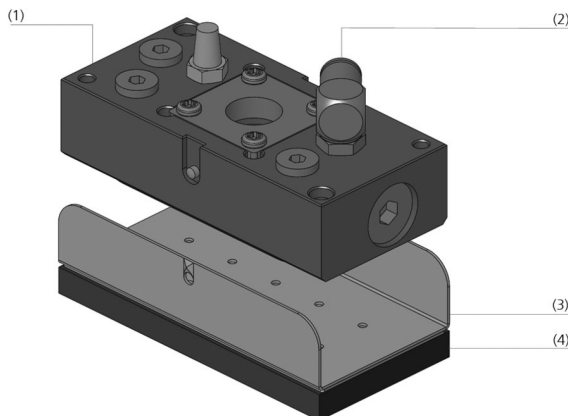
### Suitability for Industry Specific Applications

#### Applications

- For use in packaging processes for handling a wide range of products, e.g. filling boxes
- Ideal for integration in packaging machines (e.g. case packers) due to its compact dimensions and low weight
- For use on vacuum suction spiders for handling bending workpieces such as metal sheets and veneer
- FX type with integrated vacuum generation (ejector)



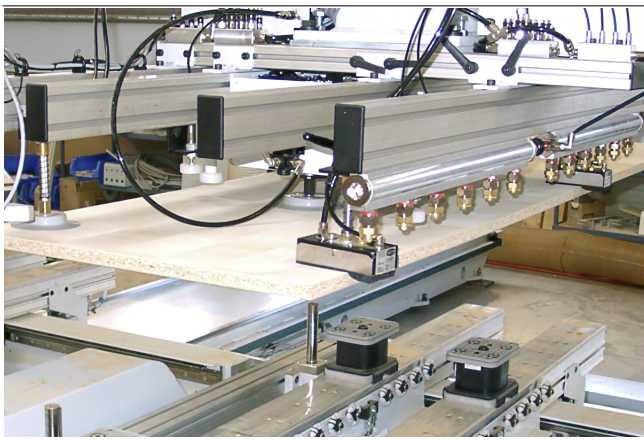
Area Gripping Systems FX-SW



#### Design

- Plastic main body (1) with integrated pneumatic vacuum generator and connections (2) for ejector hosing
- Plug-in suction plate (3) with integrated flow restrictors
- Sealing element (4): sealing foam or suction cups
- Optional vacuum sensor and external blow off function

System Design Area Gripping Systems FX-SW



Area gripping systems FX-SW when handling wooden boards

#### Product Highlights

- Integrated vacuum generator enables fastest vacuum build-up and thus short cycles; minimum interference contours
- Gripper can be optimally adapted to the application by selecting the sealing element (suction cup or sealing foam)
- Integrated flow restrictors minimize leakage losses when suction cells are not occupied
- Base body made of plastic for high rigidity with low weight

# Area Gripping Systems FX-SW

Suction area (LxB) 120 x 60 mm

## Ordering Data Area Gripping Systems FX-SW

Type	Part no.
FX-SW 120x60 20x20 N10 10 SEA	10.01.11.01800
FX-SW 120x60 20x20 N10 10	10.01.11.01802
Type	Part no.
FX-SW 120x60 20 14xFSG-12 SEA	10.01.11.02008
FX-SW 120x60 20 14xFSG-12	10.01.11.02009

## Ordering Data Spare Parts Area Gripping Systems FX-SW

Type	Spare Parts		Part no.
FX-SW 120x60 20x20 N10 10 SEA	Sealing plate (FX/FM)	DI-PL 120x60 N10 KE	10.01.10.00874
FX-SW 120x60 20x20 N10 10	Sealing plate (FX/FM)	DI-PL 120x60 N10 KE	10.01.10.00874
Type	Spare Parts		Part no.
FX-SW 120x60 20 14xFSG-12 SEA	Bellows suction cup (round)	FG 12 NK-45 N016	10.01.06.00558
FX-SW 120x60 20 14xFSG-12	Bellows suction cup (round)	FG 12 NK-45 N016	10.01.06.00558

## Technical Data Area Gripping Systems FX-SW

Type	Number of suction cells	Air consumption [l/min] [l/min]*	Suction rate (max.) [l/min]	Holding force at 60 % vacuum [N]**	Weight [kg]
FX-SW 120x60 20x20 N10 10 SEA	10	117	69	98	0.8
FX-SW 120x60 20x20 N10 10	10	117	69	98	0.7
FX-SW 120x60 20 14xFSG-12 SEA	14	117	69	13	1.1
FX-SW 120x60 20 14xFSG-12	14	117	69	13	1.0

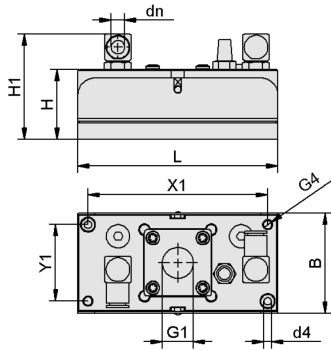
\*For compressed air with 5 bar input pressure

\*\*With the gripper fully covered by a rigid workpiece

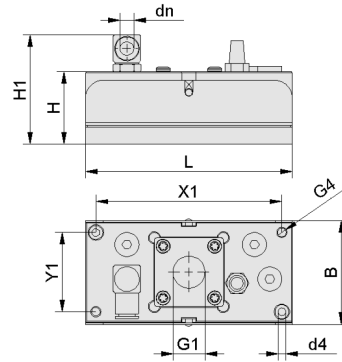
# Area Gripping Systems FX-SW

Suction area (LxB) 120 x 60 mm

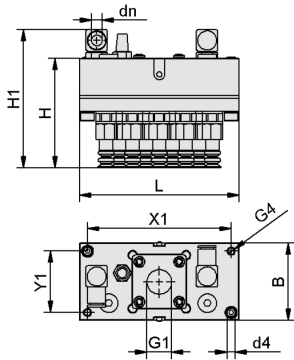
Design Data Area Gripping Systems FX-SW



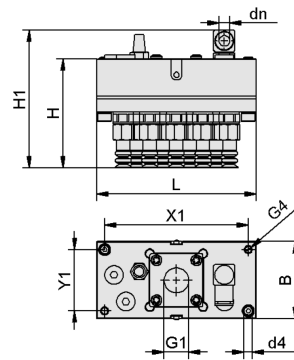
FX-SW SEA N10 10 SEA



FX-SW N10 10



FX-SW 20 FSG12 SEA



FX-SW 20 FSG12

## Area Gripping Systems FX-SW

Suction area (LxB) 120 x 60 mm

### Design Data Area Gripping Systems FX-SW

Type	B [mm]	dn [mm]*	d4 [mm]	G1	G4	H [mm]	H1 [mm]	L [mm]	X1 [mm]	Y1 [mm]
FX-SW 120x60 20x20 N10 10 SEA	60	8	4.5	G1/2"-F	M6-F	43	64	120	108	46
FX-SW 120x60 20x20 N10 10	60	8	4.5	G1/2"-F	M6-F	43	64	120	108	46
FX-SW 120x60 20 14xFSG-12 SEA	60	8	4.5	G1/2"-F	M6-F	82	104	120	108	46
FX-SW 120x60 20 14xFSG-12	60	8	4.5	G1/2"-F	M6-F	82	104	120	108	46

\*Requires an 8/6 mm compressed air hose